

## Tension and Compression Load Cell ZA30X with a Rated Load of 500 kg ... 7.5 t



### Performance Features

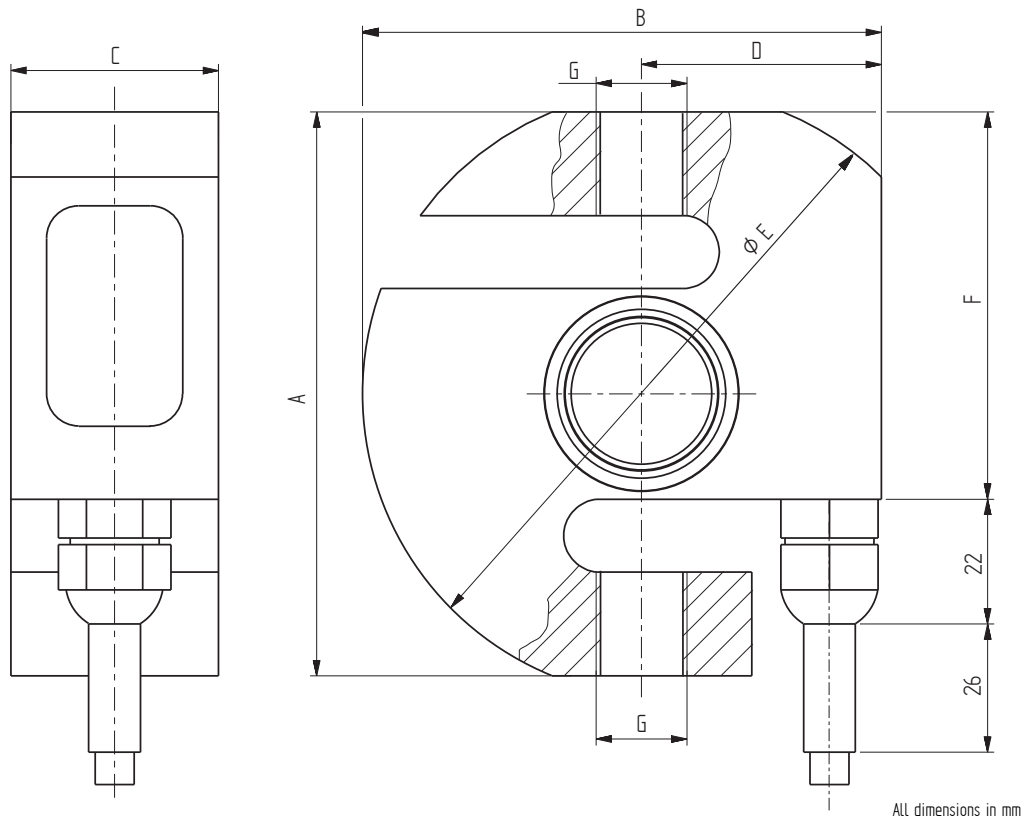
- Tension and Compression load cell made of stainless steel, hermetically welded with protection class IP68
- 3000d OIML R60 approved
- Ideally suited for hanging tension- or compression load cell and force measurement
- Calibrated signal output for multi-load cells mounting
- ATEX 2014/34/EU version for hazardous area (option)

### Application

- Food industry
- Coal and steel industry
- Chemical / pharmaceutical industry
- Waste management / recycling
- Packaging technology



## Dimensions in mm



Article-No.	Rated Load [t]	Dimensions [mm]							Weight [kg]
		A	B	C	D	Ø E	F	G	
111732	0.5	70	63	32	32	78	50.5	M12	1
111712	1	87	80	32	37	94	59.75	M16	1.5
111713	2								
111754	5	110	107	45	50	118	74.25	M24 x 2	2.9
111755	7.5	130	129	60	60	138	84.75	M30 x 2	5

## Connection Assignment

Electrical Connection	
Function	Wire Color
Excitation (+)	Brown 
Signal (+)	Yellow 
Signal (-)	White 
Excitation (-)	Green 
Sensing (+)	Gray 
Sensing (-)	Pink 

## Technical Data

Type	ZA30X	
Version		C3 10e
Rated load <b>E</b>	t	0.5; 1; 2; 5; 7.5
Maximum load for approved weighing <b>E<sub>max</sub></b>	t	0.5; 1; 2; 5; 7.5
Accuracy class OIML R60		C3
Maximum numbers of load cell intervals <b>n<sub>max</sub></b>	d OIML	3000
Minimum verification interval <b>v<sub>min</sub></b>	kg	E/10000
Creep division factor $Z = E_{max}/2 \times DR$	-	3000
Combined error	% E	±0.017
Temperature coefficient of zero signal	% E/°C	±0.0014
Temperature coefficient of characteristic value	% E/°C	±0.0014
Load creep <b>d<sub>cr, F</sub></b> in 30 min.	% E	±0.024
Zero balance	% E	±2.5
Rated output at E <b>C<sub>nom</sub></b>	mV/V	2
Rated range of excitation voltage <b>B<sub>U, nom</sub></b>	V	1 ... 15
Input resistance <b>R<sub>e</sub></b>	Ω	382 ±20
Output resistance <b>R<sub>a</sub></b>	Ω	350 ±5
Insulation resistance <b>R<sub>is</sub></b>	MΩ/50V	5000
Signal adjustment	% E	±0.1
Electrical connection		Cable, PVC, 10m
Rated temperature range <b>B<sub>T, nom</sub></b>	°C	-10 ... 40
Operating temperature range <b>B<sub>T, G</sub></b>	°C	-20 ... 60
Limit load <b>E<sub>lim</sub></b>	% E <sub>max</sub>	150
Breaking load <b>E<sub>b</sub></b>	% E <sub>max</sub>	300 (7.5t = 200)
Tightening torque	Nm	-
Level of protection		IP68
Material		Stainless steel
Weight	kg	See drawing

## Options

Article-No.	Description
107798	ATEX 2014/34/EU, IECEx: ex II 1 G/D, Ex ia IIC T6 Ga, Ex ia IIIC T80 °C Da, IP6X, -20 °C < Ta < +60 °C (zones gaz 0/1/2, dust 20/21/22)
115049	ATEX 2014/34/EU, IECEx: ex II 1 D, Ex ta IIIC T125 °C Da, IP6X, -20 °C < Ta < +60 °C (zones dust 20/21/22)
115048	ATEX 2014/34/EU, IECEx: ex II 3 G, Ex nA IIC T6 Gc, -20 °C < Ta < +60 °C (zone gaz 2)
-	Marking FACTORY MUTUAL (FM): I.S., CL I, II, III / DIV 1 / GP ABCDEFG N.I., CL I, II, III / DIV 2 / GP ABCDEFG; NIFW

## Accessories

### Electrical Connection

Article-No.	Description
10323	Male cable connector KS6 (6-pin, Series 581) incl. mounting
10320	Male cable connector KSSH15 (15-pin) incl. mounting
43418	Input connector ZA9612FS (ALMEMO) incl. sensor mounting and connector calibration
49205	Input connector ZKD712FS (ALMEMO 202) incl. sensor mounting and connector calibration

## Accessories (continued)

### Weighing Electronics

ALCJB-A	CPJ/CPJ2S	IPE50 Panel
 The image shows a white plastic terminal block with a green PCB inside. It has several screw terminals on the front and back. The PCB has several electronic components mounted on it.	 The image shows a green plastic terminal block with a black PCB inside. It has several screw terminals on the front and back. The PCB has several electronic components mounted on it.	 The image shows a blue and black electronic panel. It has a red LED display showing '30.000'. Below the display are several buttons and a small keypad. The panel is mounted on a black base.

Further suitable accessories you can find on our homepage under:

[https://www.lorenz-messtechnik.de/english/products/lc\\_weighing-electronics.php](https://www.lorenz-messtechnik.de/english/products/lc_weighing-electronics.php)