

## SG Measuring Amplifier CPJ/CPJ-2S



### Performance Features

- For connecting up to four 350  $\Omega$  load cells
- Voltage output ( $\pm 10$ VDC or 0 ... 10VDC) and current output (4 ... 20 mA)
- Shunt calibration signal
- 2 set points on relays optional version CPJ-2S
- 4 or 6 wire load cell

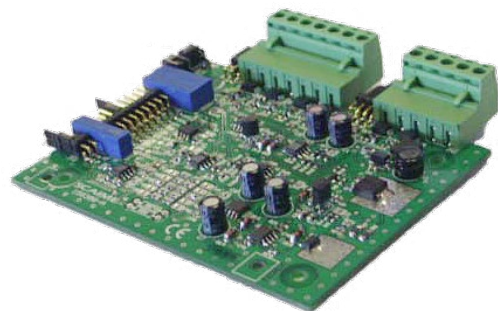
### Application

- Research and development
- Process measuring and control technology
- Automotive engineering
- Energy and environmental technology
- Mechanical engineering

### IP65 Housing Version

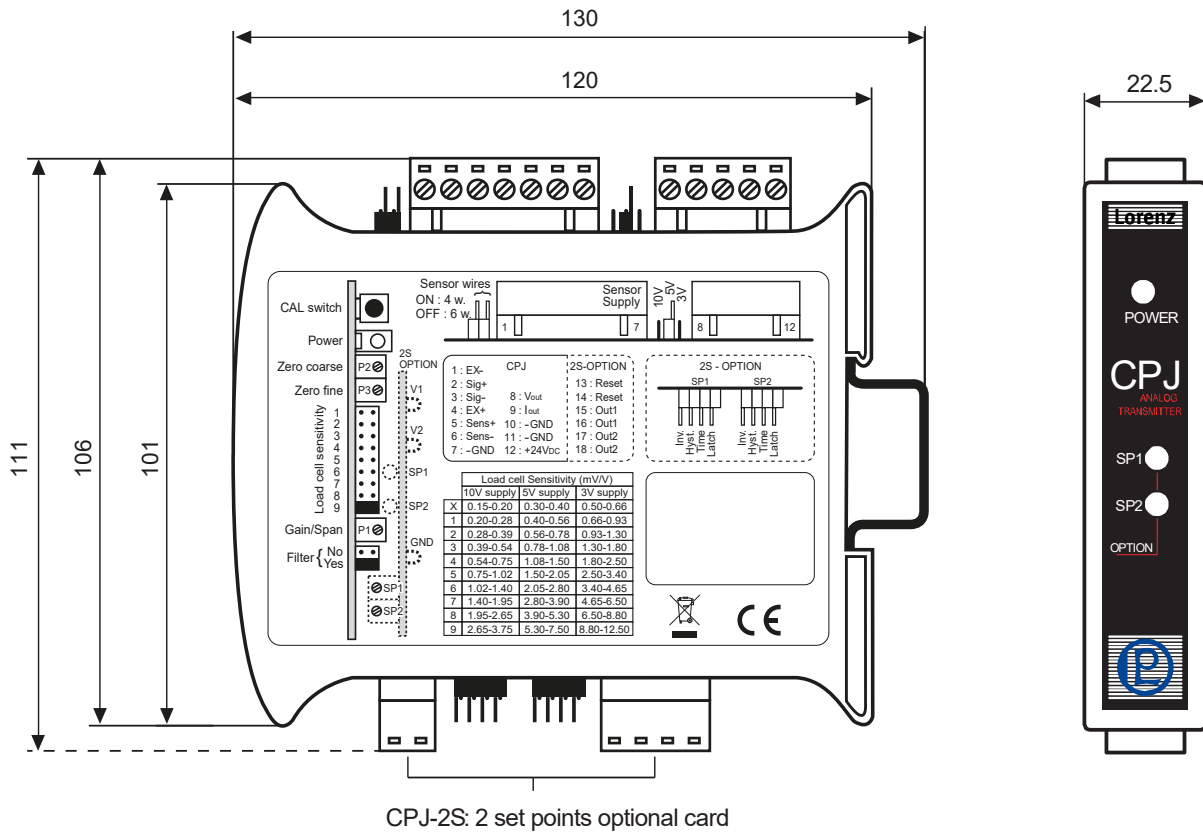


### Board Version

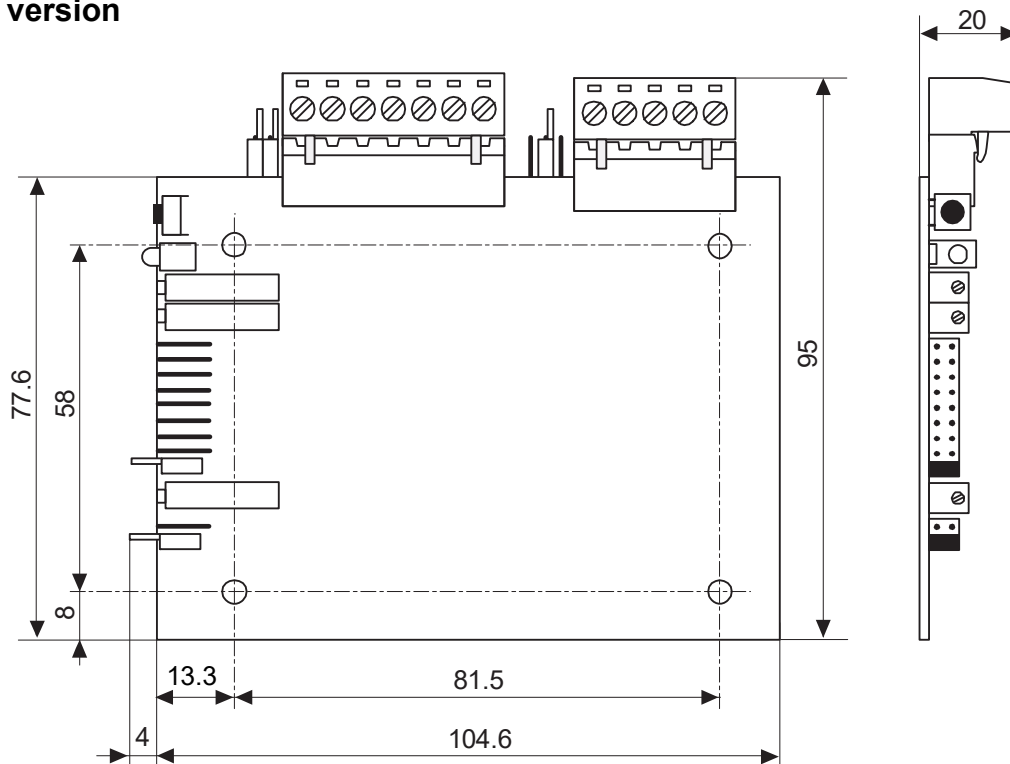


## Dimensions of CPJ/CPJ-2S in mm

### CPJ/CPJ-2S Din Rail Version

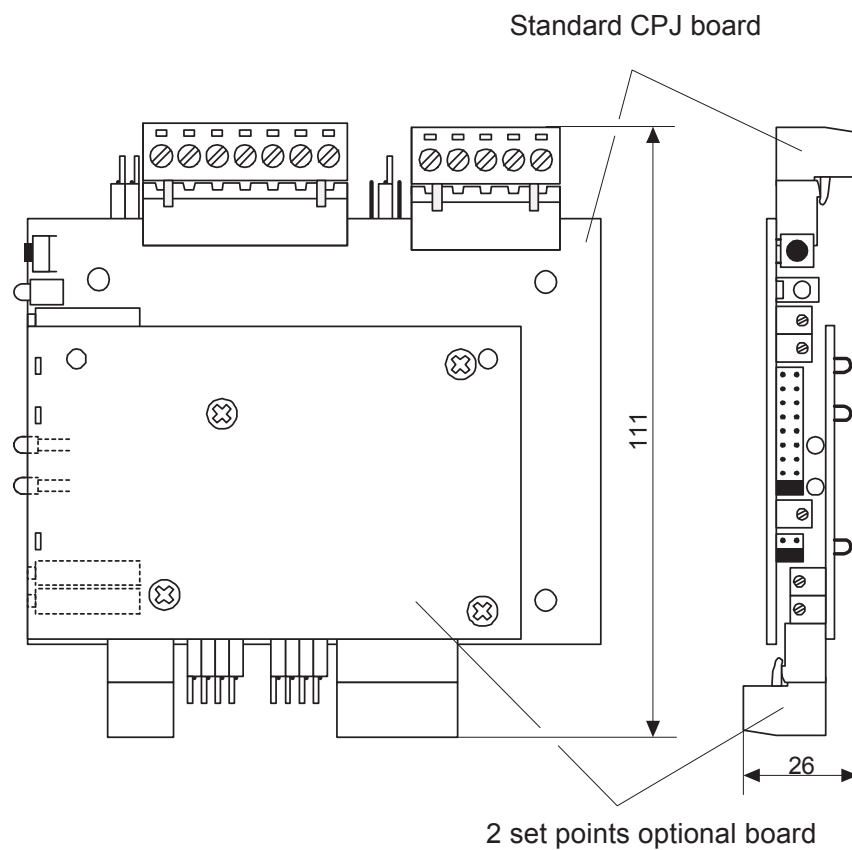


### CPJ board version

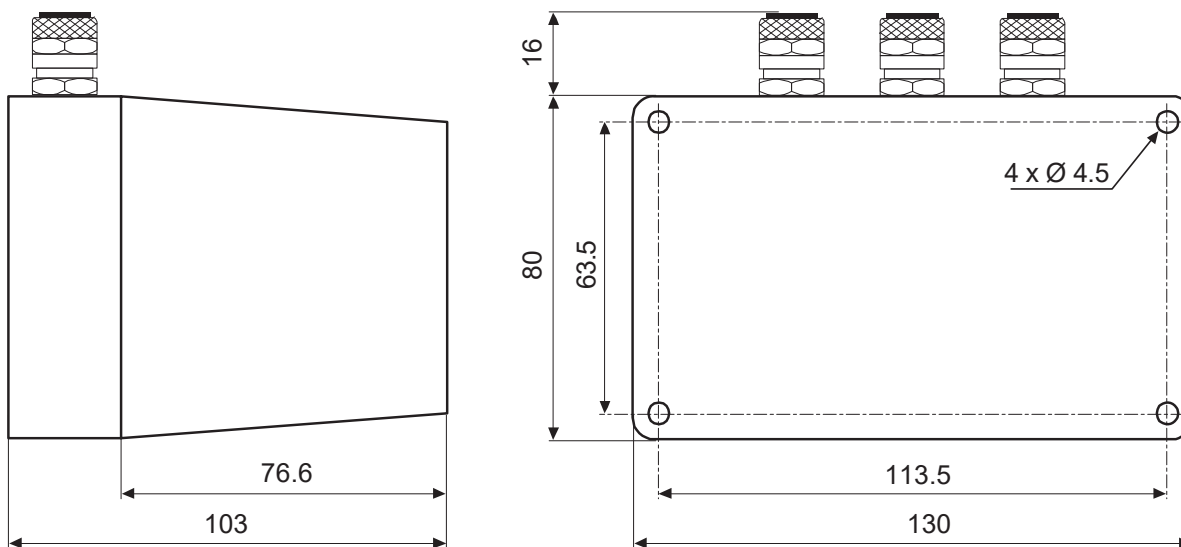


## Dimensions of CPJ/CPJ-2S in mm

### CPJ-2S board version

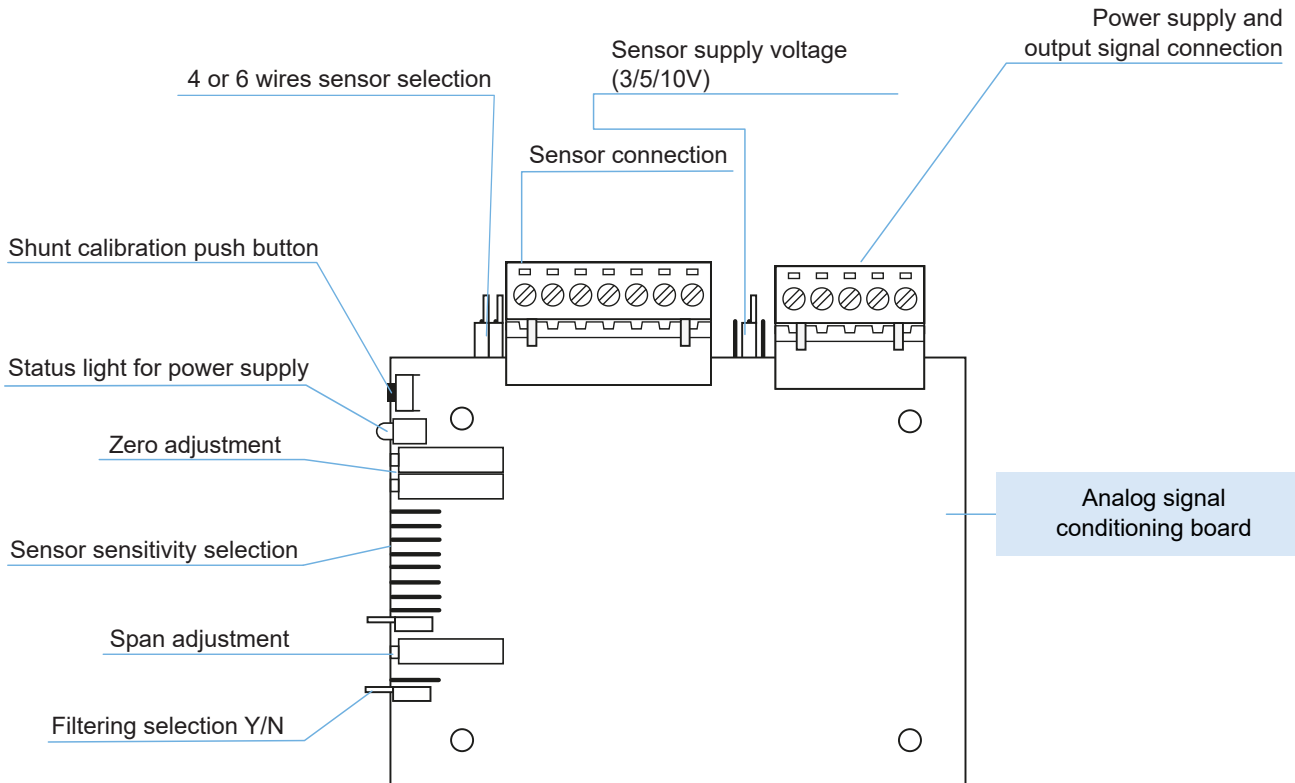


### CPJ IP65 Housing Version

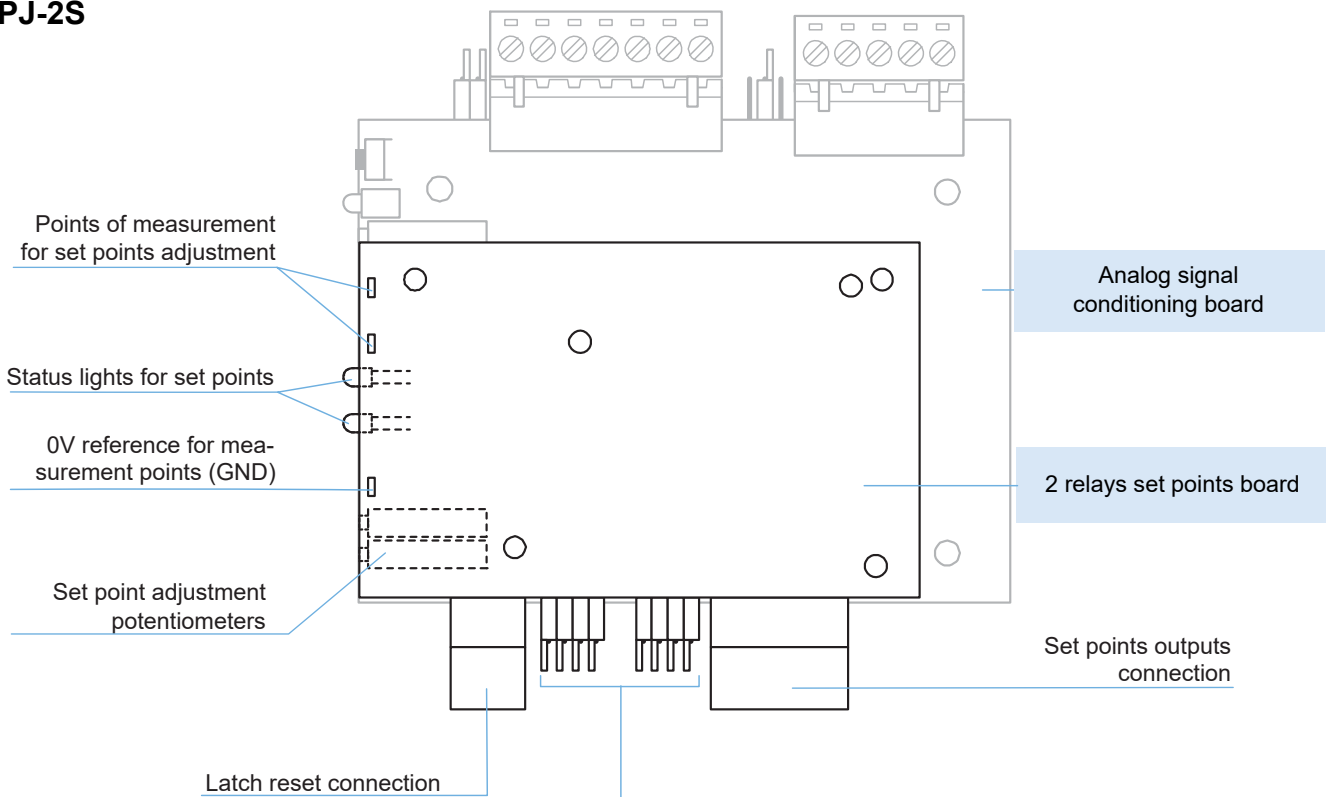


## Connection diagram

### CPJ



### CPJ-2S



#### Set points setting:

- Relay Normally Open/Close
- Hysteresis 0.2/1.1 %
- Relay Holding time 5/600 ms
- Latch function Y/N

## Technical Data

### SG Measuring Amplifier CPJ/CPJ-2S

Version	CPJ board	CPJ DIN rail	CPJ-2S DIN rail	CPJ housing <sup>1</sup>
Article-No.	109679	109575	111851	109680
<b>Type CPJ</b>				
Accuracy class	0.05 %			
Load cell excitation voltage	3VDC; 5VDC; 10VDC			
Min. input resistance load cells	3VDC; 5VDC: 80 Ω 10VDC: 160 Ω			
Input signal range	0.15 ... 12 mV/V			
Temperature effect on zero signal	≤0.035 % f.s. <sup>2</sup> /K			
Temperature effect on characteristic value	≤0.02 % f.s./K			
Filtering low pass (-3 dB)	10 Hz			
Compensated temperature range	0 ... 70 °C			
Power supply	24 ±4VDC			
Max. current consumption CPJ/CPJ-2S	120 mA/170 mA			
Voltage output signal range	±10V, 0 ... 10V			
Current output signal range	4 ... 20 mA			
Load impedance for voltage output	≥2000 Ω			
Load impedance for current output	≤500 Ω			
Capacitive load on the output	≤1 nF			
Bandwidth	≤20 KHz			
<b>Type CPJ-2S</b>				
Number of set points	2			
Adjustment	2 potentiometers			
Selectable functioning direction	yes			
Hysteresis	1.1/0.2 % f.s.			
Holding time	5/600 ms			
Latch function	yes			
Response time	7 ms			
<b>Relay</b>				
Type	Photorelay			
On-state current max. at 40 °C	0.4 A			
Off-state voltage	55V			
On-state resistance	2 Ω			
Isolation voltage	2500 Vrms			

## Options

Article-No.	Description
110564	mV/V adjusted sensitivity
	Input for potentiometer
	Customized filtering 0.5 ... 450 Hz
	Power supply 12VDC (output voltage limited to ±5V, 0 ... 5V)

<sup>1</sup> Not available on CPJ-2S version

<sup>2</sup> f.s. - full scale