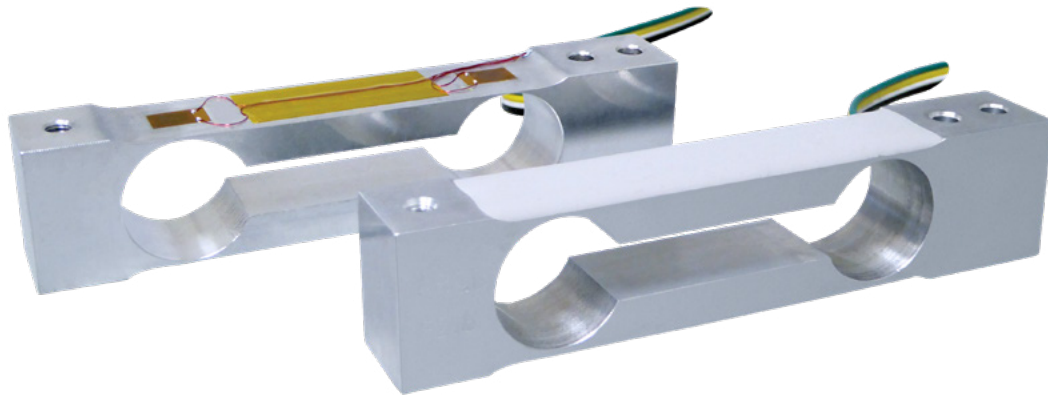


Single Point Load Cell AR with a Rated Load of 0.2 ... 1.2 kg



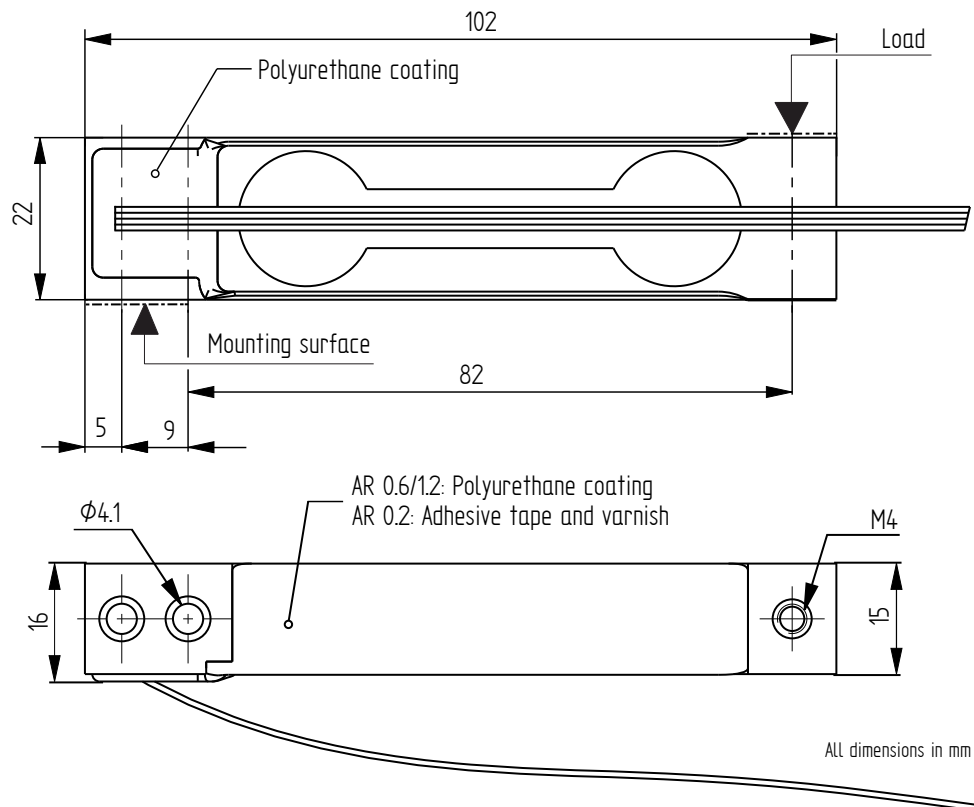
Performance Features

- Aluminum single point load cell
- Very high precision, resolution up to 30.000 divisions
- Protection by varnish or coating
- Designed for platforms of maximum dimensions 150 mm x 150 mm (off-center load compensated)
- Ideally suited for jewelry or laboratory scales

Application

- Jewelry sector
- Chemical /Pharmaceutical Industry
- Laboratory scales

Dimensions in mm



Article-No.	Version	Rated Load [kg]
108231	Adhesive tape and varnish	0.2
108232	Polyurethane coating	0.6
108233	Polyurethane coating	1.2

Connection Assignment

Electrical Connection

Function	Wire Color	
Excitation (+)	Black	●
Signal (+)	Yellow	●
Signal (-)	White	○
Excitation (-)	Green	●

Technische Daten

Type	AR		
Version		Polyurethane coating	Varnish
Rated load E	kg	0.6; 1.2	0.2
Maximum load for approved weighing E_{max}	kg	-	-
Accuracy class OIML R60		-	-
Maximum numbers of load cell intervals n_{max}	d OIML	-	-
Minimum verification interval v_{min}	kg	-	-
Creep division factor $Z = E_{max}/2 \times DR$		-	-
Combined error	% E	±0.02	±0.02
Temperature coefficient of zero signal	% E/°C	±0.004	±0.004
Temperature coefficient of characteristic value	% E/°C	±0.0028	±0.0014
Load creep d_{cr, F} in 30 min.	% E	±0.04	±0.02
Zero balance	% E		±20
Rated output at E C_{nom}	mV/V		1 ±15
Rated range of excitation voltage B_{U, nom}	V		1 ... 12
Input resistance R_e	Ω		410 ±20
Output resistance R_a	Ω		350 ±5
Insulation resistance R_{is}	MΩ/50V		1000
Electrical connection		Flat cable, PVC, 0,25 m	
Rated temperature range B_{T, nom}	°C		5 ... 35
Operating temperature range B_{T, G}	°C		-20 ... 60
Limit load E_{lim}	% E _{max}		150
Breaking load E_b	% E _{max}		200
Tightening torque	Nm		4
Maximum platform dimension	mm	0.2 kg = 120 x 120; 0.6; 1.2 = 150 x 150	
Level of protection		IP63; IP65 (Polyurethane coating)	
Material		Aluminum	
Weight	kg	0.05	

Options

Article-No.	Description
111735	Protective coating

Accessories

Electrical Connection

Article-No.	Description
10323	Male cable connector KS6 (6-pin, Series 581) incl. mounting
10320	Male cable connector KSSH15 (15-pin) incl. mounting
43418	Input connector ZA9612FS (ALMEMO) incl. sensor mounting and connector calibration
49205	Input connector ZKD712FS (ALMEMO 202) incl. sensor mounting and connector calibration

Weighing Electronics

ALCJB-A	CPJ/CPJ2S	IPE50 Panel
		

Further suitable accessories you can find on our homepage under:

https://www.lorenz-messtechnik.de/english/products/lc_weighing-electronics.php