

## Shear Beam Load Cell SK30X-5t with a Rated Load of 3 t ... 5 t



Data sheet

### Performance Features

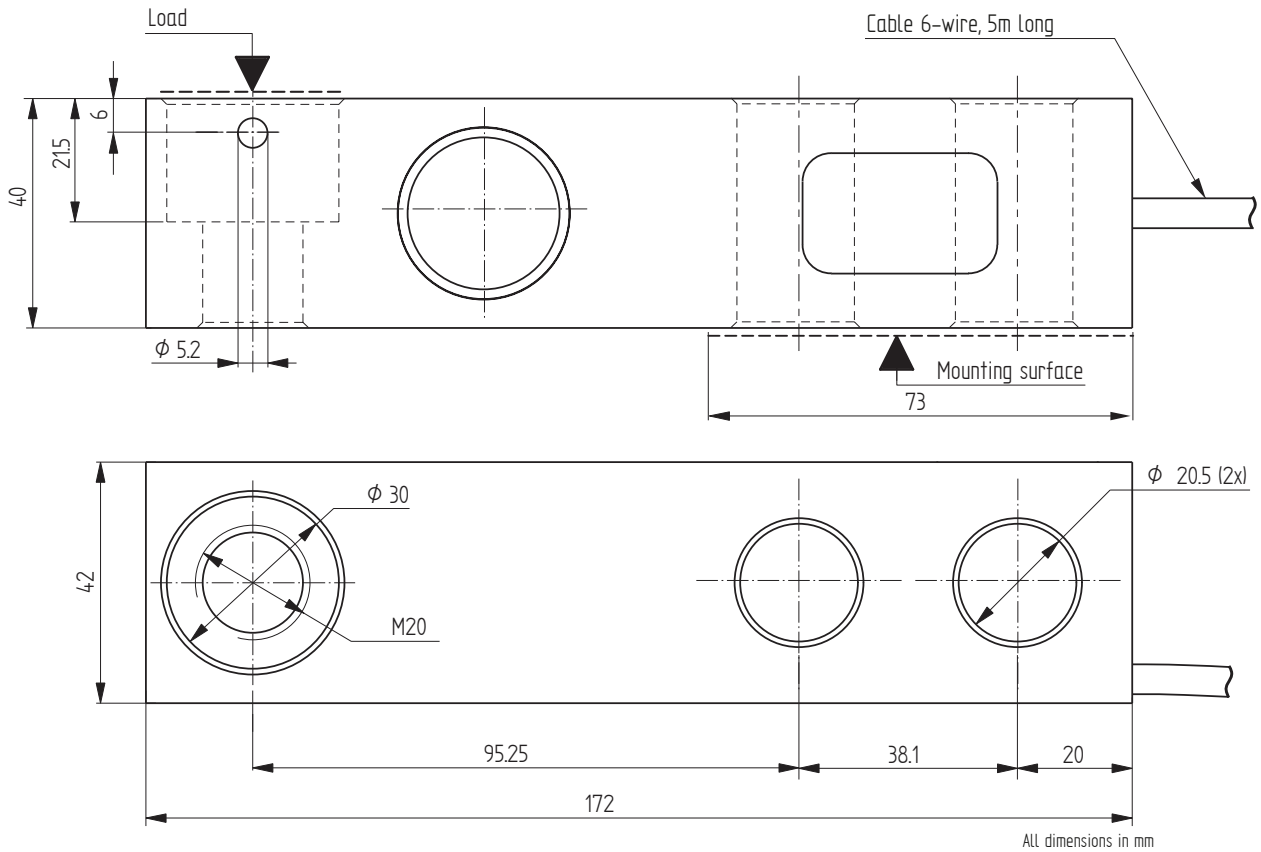
- Shear beam load cell made of stainless steel, hermetically welded with protection class IP68
- Up to 4000d OIML R60
- Specially designed for industrial platform scales
- 6-wire configuration
- Calibrated signal output for multi-load cells mounting
- ATEX 2014/34/EU version for hazardous area (option)

### Application

- Hoppers, tanks, mixers or conveyors
- Beverages and food
- Mining, metals and minerals
- Chemistry/Pharmaceuticals
- Waste management/recycling
- Packaging technology



## Dimensions in mm



### Warning

Shear beam load cell SK30X installation requires mounting hardware with a minimum hardness of HRC 53 and screws of class 12.9

Article-No.	Version	Rated Load [kg]	$n_{max}$ [d OIML]	Weight [kg]
111115	C3 10e	3000	3000	1.87
110328	C3 10e	5000	3000	1.87

## Connection Assignment

### Electrical Connection

Function	Wire Color
Excitation (+)	Brown 
Signal (+)	Yellow 
Signal (-)	White 
Excitation (-)	Green 
Sensing (+)	Gray 
Sensing (-)	Pink 


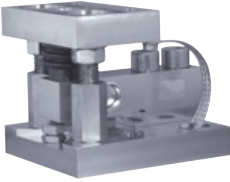
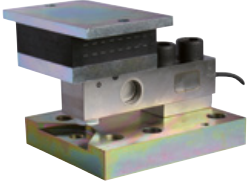
## Technical Data

Type	SK30X 5T	
Version		C3 12e
Rated load <b>E</b>	kg	3000; 5000
Maximum load for approved weighing <b>E<sub>max</sub></b>	kg	3000; 5000
Accuracy class OIML R60		C3
Maximum numbers of load cell intervals <b>n<sub>max</sub></b>	d OIML	3000
Minimum verification interval <b>v<sub>min</sub></b>	kg	E/10000
Creep division factor $Z = E_{max}/2 \times DR$	-	3000
Combined error	% E	±0.017
Temperature coefficient of zero signal	% E/°C	±0.0014
Temperature coefficient of characteristic value	% E/°C	±0.0014
Load creep <b>d<sub>cr, F</sub></b> in 30 min.	% E	±0.024
Zero balance	% E	±2.5
Rated output at E <b>C<sub>nom</sub></b>	mV/V	2
Rated range of excitation voltage <b>B<sub>U, nom</sub></b>	V	1 ... 15
Input resistance <b>R<sub>e</sub></b>	Ω	385 ±20
Output resistance <b>R<sub>a</sub></b>	Ω	350 ±5
Insulation resistance <b>R<sub>is</sub></b>	MΩ/50V	5000
Current Adjustment	% E	±0.1
Electrical connection		Cable, PVC, 5 m
Rated temperature range <b>B<sub>T, nom</sub></b>	°C	-10 ... 40
Operating temperature range <b>B<sub>T, G</sub></b>	°C	-20 ... 60
Limit load <b>E<sub>lim</sub></b>	% E <sub>max</sub>	150
Breaking load <b>E<sub>b</sub></b>	% E <sub>max</sub>	200
Tightening torque	Nm	80
Level of protection	EN 60529	IP68
Material		Stainless steel
Weight	kg	1.87

## Options

Article-No.	Description
107798	ATEX 2014/34/EU, IECEx: ex II 1 G/D, Ex ia IIC T6 Ga, Ex ia IIIC T80 °C Da, IP6X, -20 °C < Ta < +60 °C (zones gaz 0/1/2, dust 20/21/22)
115049	ATEX 2014/34/EU, IECEx: ex II 1 D, Ex ta IIIC T125 °C Da, IP6X, -20 °C < Ta < +60 °C (zones dust 20/21/22)
115048	ATEX 2014/34/EU, IECEx: ex II 3 G, Ex nA IIC T6 Gc, -20 °C < Ta < +60 °C (zone gaz 2)
-	Marking FACTORY MUTUAL (FM): I.S., CL I, II, III / DIV 1 / GP ABCDEFG N.I., CL I, II, III / DIV 2 / GP ABCDEFG; NIFW

## Accessories

Height adjustable load device LFA	Height adjustable load device LFC/SK 5t	Compression load kit Stabiflex-SK 5t	Compression load kit Isoflex 5t
			

Further suitable accessories you can find on our homepage under <https://www.lorenz-messtechnik.de/english/products>