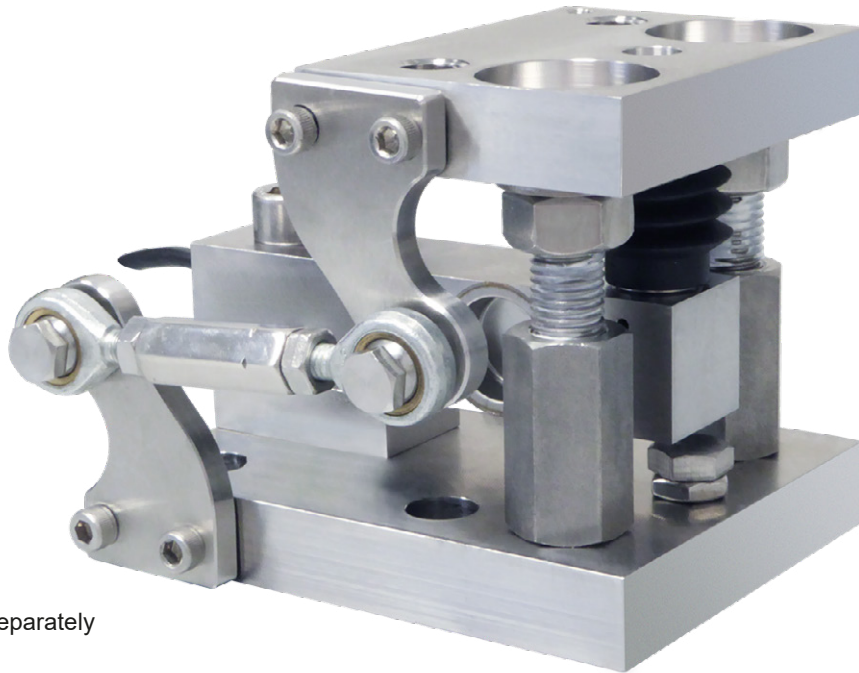


## STABIFLEX-SK EVO 300 kg ... 5 t



Load cell and stabilizer sold separately

**Performance Features**

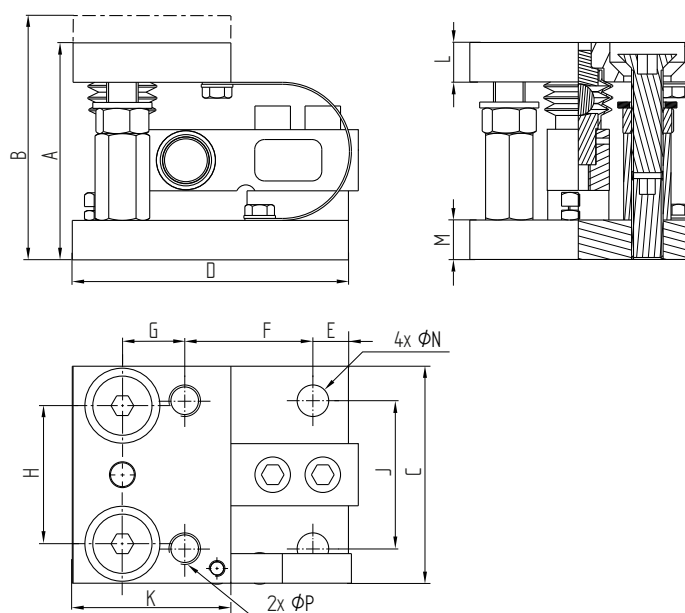
- Zinc plated or stainless steel construction
- Cross stoppers and lift off prevention included
- Ball-and-cup design for accurate weighing
- Integrated jacking bolts
- Metal braid grounding cable
- Optional stabilizer to maintain the structure in dynamic application

**Application**

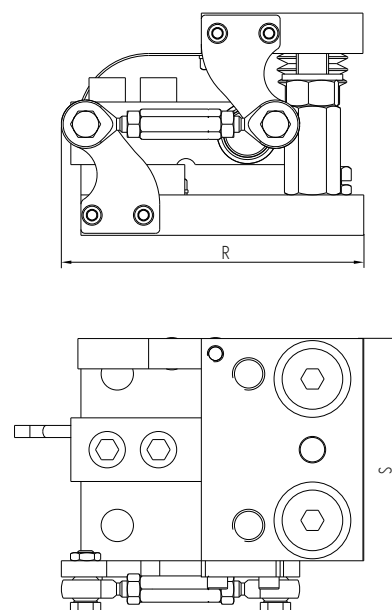
- Mounting kit for SK30X
- Only compression load
- Designed for tank or hopper weighing
- Food industry
- Coal and steel industry
- Chemical / pharmaceutical industry
- Waste management / recycling
- Packaging technology

## Dimensions in mm

STABIFLEX-SK EVO without stabilizer



STABIFLEX-SK EVO with stabilizer



Measuring range (SK30X)	A	B <sup>1</sup>	C	D	E	F	G	H	J	K	L	M	N	P	R	S
300 kg ... 2 t	110	118	110	140	18	65	31,6	75	75	80	20	20	16	M16	150	136
3t ... 5 t	145	153	150	180	20	85	43,4	100	100	95	25 / 27	25 / 23	20	M20	194	184

<sup>1</sup> Loading plate in upper position

Article-No.	Description	Version	Material
106677	SK30X Stabiflex-SK 2t EVO	Without stabilizer	Zinc plated steel
117967	SK30X Stabiflex-SK 2t EVO	With stabilizer	Zinc plated steel
106913	SK30X Stabiflex-SK 2t X EVO	Without stabilizer	Stainless steel
117972	SK30X Stabiflex-SK 2t X EVO	With stabilizer	Stainless steel
106914	SK30X Stabiflex-SK 5t EVO	Without stabilizer	Zinc plated steel
117973	SK30X Stabiflex-SK 5t EVO	With stabilizer	Zinc plated steel
106915	SK30X Stabiflex-SK 5t X EVO	Without stabilizer	Stainless steel
117974	SK30X Stabiflex-SK 5t X EVO	With stabilizer	Stainless steel

## Technical Data

Type		STABIFLEX-SK EVO		STABIFLEX-SKX EVO		STABILIZER	
		2 t	5 t	2 t	5 t	2 t	5 t
For load cell SK30X	kg	0,3 ... 2 t	3 t... 5 t	0,3 ... 2 t	3 t... 5 t	0,3 ... 2 t	3 t... 5 t
Max .Verschiebung:							
Without stabilizer	mm	±4				-	
With stabilizer		±0				-	
Max lateral force before stoppers (In N by applied kg)	N/kg	2,5	1,7	2,5	1,7	-	
Max. Lift-off force	kN	15,7	29,4	5,9	10,8	-	
Max. lateral force	kN	15,7	29,4	5,9	10,8	-	
Max. Longitudinal force	kN	-				4,9	9,8
Influence of the stabilizer on the weighing	g	-				< ±50 <sup>2</sup>	
Material		Zinc plated steel		Stainless steel			

<sup>2</sup> Due to the influence of the stabilizer on the weighing, their use is not recommended for load cells with a measuring range < 100 kg.

## Options

Article-No.	Description	Remark
117968	Stabiflex-SK 2t EVO/X EVO	Stabilizer for Stabiflex-SK 2t EVO/X EVO, stainless steel
117976	Stabiflex-SK 5t X EVO/X EVO	Stabilizer for Stabiflex-SK 5t EVO/X EVO, stainless steel

Stabiflex operation manual you can find here:

[https://www.lorenz-messtechnik.de/english/products/lc\\_weighing-modules/stabiflex.php](https://www.lorenz-messtechnik.de/english/products/lc_weighing-modules/stabiflex.php)